

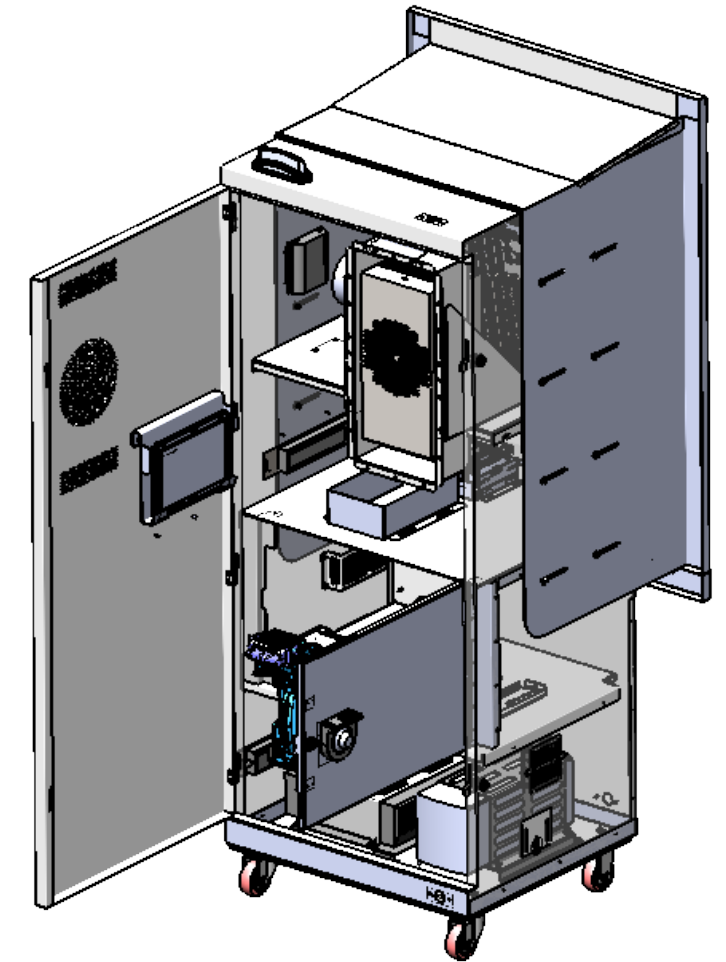
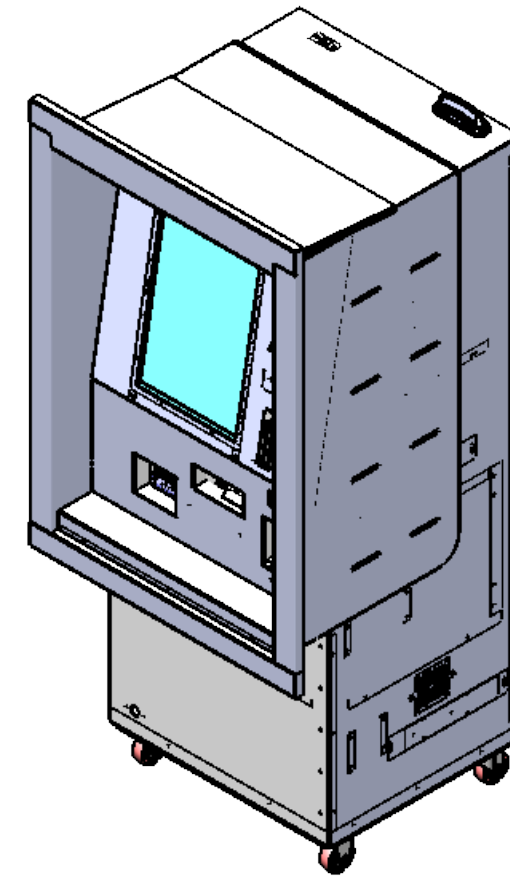
4

3

2

1

ITEM NO.	DESCRIPTION	QTY.
1	TOP LEVEL SHEET METAL ASSY	1
2	CASTER	2
3	CASTER, SWIVEL	2
4	BATTERY BACKUP	1
5	AUDIO JACK	1
6	TRACKBALL	1
7	TECA, A/C UNIT	1
8	Check Scanner, Pertech	1
9	CERONIX, 22" TOUCH SCREEN	1
10	VKP80 II CUSTOM PRINTER	1
11	SPEAKER	2
12	DELL PC - SFF	1
13	POWER STRIP (6 OUTLET-4 FT CORD)	2
14	USB HID CARD READER	1
15	WIRELESS IP CAMERA	1
16	ROUTER, CRADLE POINT	1
17	LOCK	2
18	ATM SECURITY LOCK	1
19	MEI BILL VALIDATOR	1
20	JADAK SCANNER - 2185	1
21	1/4 TURN LATCH	1
22	PANORAMA ANTENNA	1
23	GloryStar TABLET	1
24	92mm FAN - 49 cfm - 12v DC	2
25	EMKA DOOR GASKET	1
26	NUT, WING, .164-32 (8-32)	8



**PROPRIETARY AND CONFIDENTIAL**  
 THE INFORMATION CONTAINED IN THIS DRAWING IS THE SOLE PROPERTY OF <INSERT COMPANY NAME HERE>. ANY REPRODUCTION IN PART OR AS A WHOLE WITHOUT THE WRITTEN PERMISSION OF <INSERT COMPANY NAME HERE> IS PROHIBITED.

UNLESS OTHERWISE SPECIFIED:		NAME	DATE	SlabbKiosks	
DIMENSIONS ARE IN INCHES		DRAWN	C.HOLSKE	12/13/2021	TITLE: <b>THRU THE WALL</b>
TOLERANCES:		CHECKED			
FRACTIONAL ±		ENG APPR.			
ANGULAR: MACH ± BEND ±		MFG APPR.			
TWO PLACE DECIMAL ± .030		Q.A.			SIZE DWG. NO. REV <b>B</b> TTW-F3 <b>A</b>
THREE PLACE DECIMAL ± .015		COMMENTS:			
INTERPRET GEOMETRIC TOLERANCING PER:					SCALE: 1:24 WEIGHT: SHEET 1 OF 2
MATERIAL					
SEE BOM					
NEXT ASSY	USED ON	FINISH	SEE PARTS		
APPLICATION		DO NOT SCALE DRAWING			

4

3

2

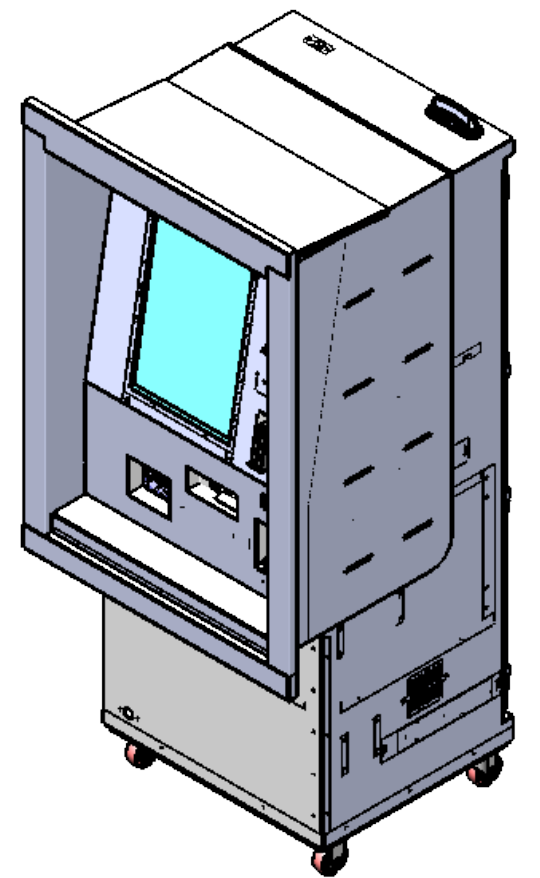
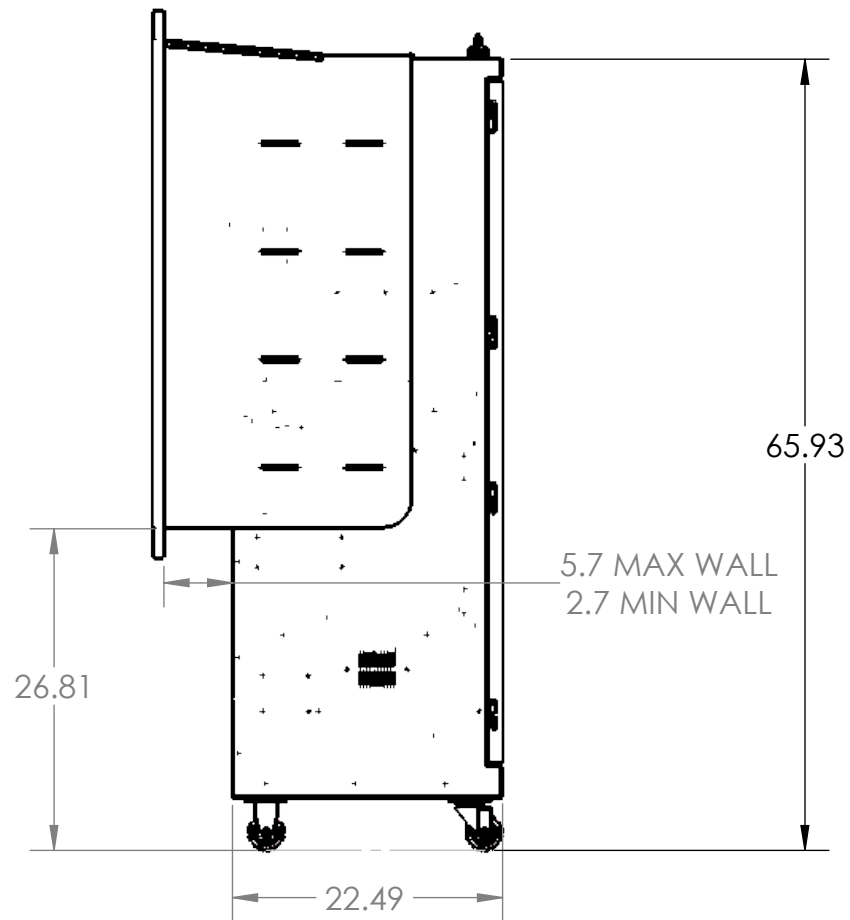
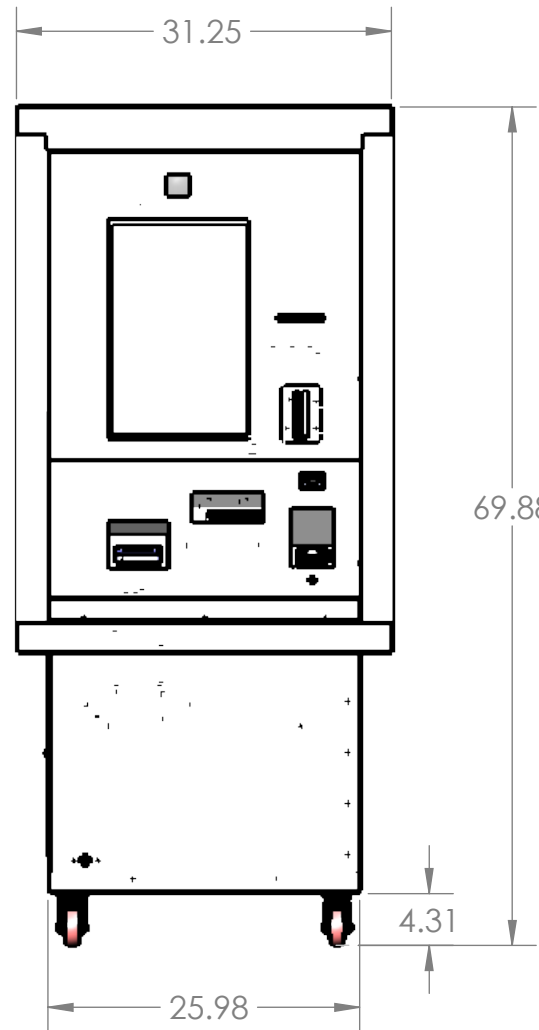
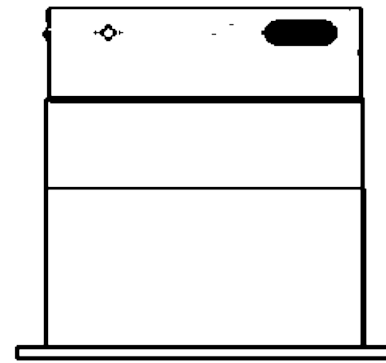
1

4

3

2

1



B

B

A

A

**PROPRIETARY AND CONFIDENTIAL**  
 THE INFORMATION CONTAINED IN THIS DRAWING IS THE SOLE PROPERTY OF <INSERT COMPANY NAME HERE>. ANY REPRODUCTION IN PART OR AS A WHOLE WITHOUT THE WRITTEN PERMISSION OF <INSERT COMPANY NAME HERE> IS PROHIBITED.

		UNLESS OTHERWISE SPECIFIED:		NAME	DATE
		DIMENSIONS ARE IN INCHES		DRAWN	C.HOLSKE 12/13/2021
		TOLERANCES:		CHECKED	
		FRACTIONAL: ±		ENG APPR.	
		ANGULAR: MACH ± BEND ±		MFG APPR.	
		TWO PLACE DECIMAL ± .030		Q.A.	
		THREE PLACE DECIMAL ± .015		COMMENTS:	
		INTERPRET GEOMETRIC TOLERANCING PER:			
		MATERIAL			
		SEE BOM			
NEXT ASSY	USED ON	FINISH			
		SEE PARTS			
APPLICATION		DO NOT SCALE DRAWING			

<b>SlabbKiosks</b>		
TITLE:		
<b>THRU THE WALL</b>		
SIZE	DWG. NO.	REV
<b>B</b>	TTW-F3	<b>A</b>
SCALE: 1:24 WEIGHT:		SHEET 2 OF 2

4

3

2

1